

IP6K9K

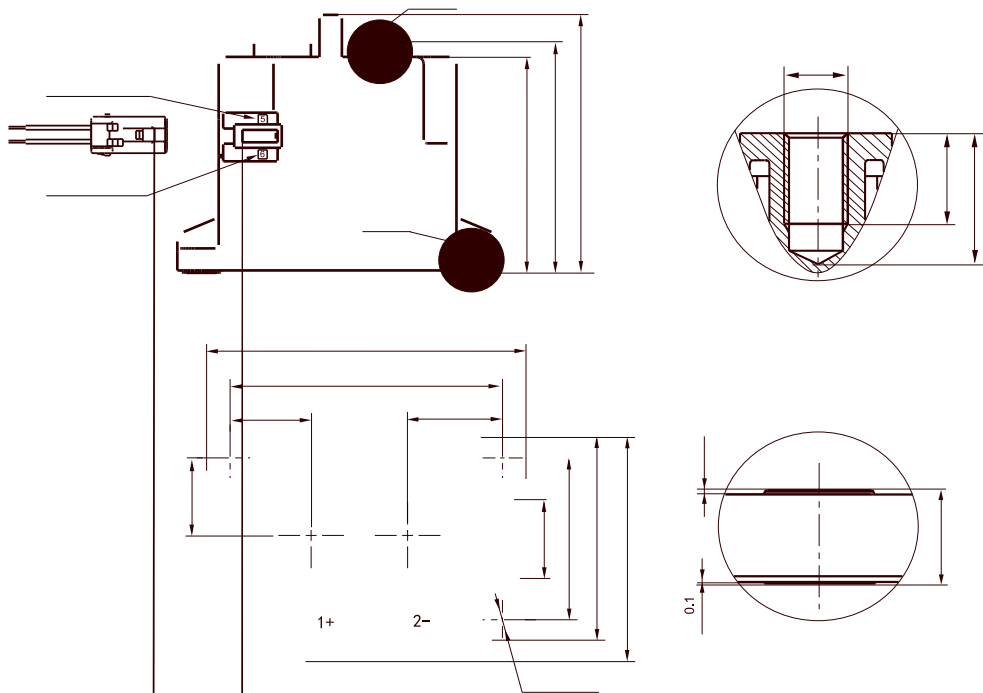
136L ) 3) 36 VDC, )

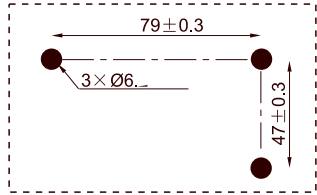
触点参数 / Contact parameters

		1a					
		≤0.5mΩ (at 300A)					
		300A					
		2×10 <sup>-5</sup>					
		<b>450V型</b>		<b>750V型</b>			
		1000VDC		1000VDC			
		2500A(320VDC)1		2500A(320VDC)1			
		135kW		225kW			
1)		2.5×10 <sup>4</sup>	22.5VDC, =1ms	400A, 300A	1.5×10 <sup>4</sup>	37.5VDC, =1ms	400A, 300A
		1	360VDC, =1ms	1350A, 300A			
			1×10 <sup>4</sup>	450VDC,80A		1×10 <sup>4</sup>	750VDC,80A
			3×10 <sup>3</sup>	450VDC,300A		1×10 <sup>3</sup>	750VDC,300A
2)		300A:					
		450A:60min					
		600A:20min					
		1200A:30s					
		3000A:0.6s					

1) 85°C, 23°C, 0.6s:5.4s,

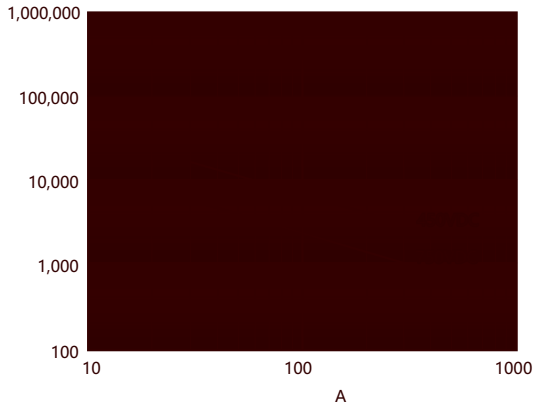
2) 85°C, 100 mm<sup>2</sup>, " "



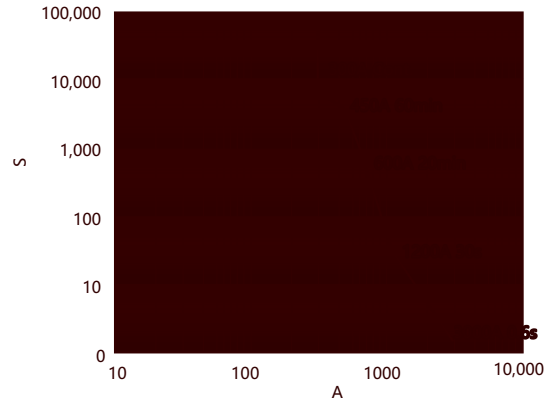


性能曲线图 Performance graph

Electrical life curve



Tolerance curve



/ 0.6S 5.4S 85°C, 100mm<sup>2</sup>

使用注意事项 Precautions for use

1 9N·m~11N·m。 M5 3N·m~4N·m

M6螺钉	9N·m~11N·m	Ø6.0~Ø6.5mm	5mm	M5螺钉	3N·m~4N·m
------	------------	-------------	-----	------	-----------

2 100mm<sup>2</sup>  
3 0.2s 0.2s  
4  
5 3mm

声明/Statement:

[Redacted content]