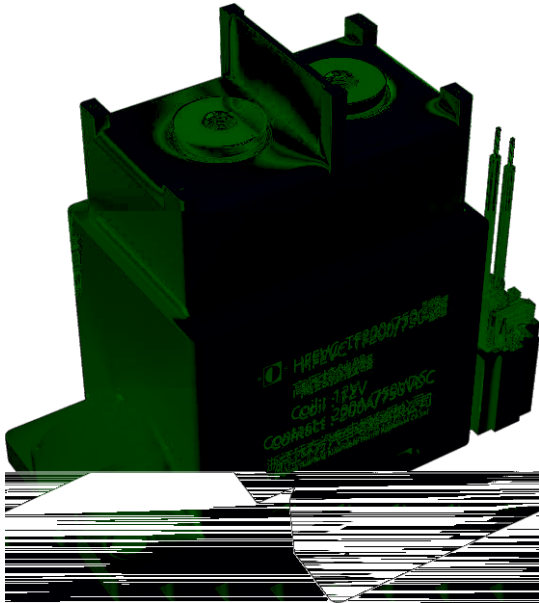




# HFEVC-TF200 HIGH-VOLTAGE CERAMIC CONTACTOR



## 产品特性/Product Features

- IP6K9K
- 200A 85°C长时间载流能力
- 12-750VDC
- 1000MΩ (1000VDC) , IEC 60664-1
- PCB

### 触点参数 / Contact parameters

|    |  | 1a                  |               |                |                     |               |            |
|----|--|---------------------|---------------|----------------|---------------------|---------------|------------|
|    |  | ≤2mΩ (at 20A)       |               |                |                     |               |            |
|    |  | 200A                |               |                |                     |               |            |
|    |  | 2×10 <sup>-5</sup>  |               |                |                     |               |            |
|    |  | 450V型               |               | 750V型          |                     |               |            |
|    |  | 1000VDC             |               | 1000VDC        |                     |               |            |
|    |  | 2000A(320VDC)1      |               | 2000A(320VDC)1 |                     |               |            |
|    |  | 90kW                |               | 150kW          |                     |               |            |
| 1) |  | 2.5×10 <sup>4</sup> | 22.5VDC, =1ms | 400A, 200A     | 2.5×10 <sup>4</sup> | 37.5VDC, =1ms | 400A, 200A |
|    |  | 1                   | 450VDC, =1ms  | 1350A, 200A    |                     |               |            |
|    |  | 1×10 <sup>4</sup>   | 450VDC,70A    |                | 1×10 <sup>4</sup>   | 750VDC,70A    |            |
|    |  | 3×10 <sup>3</sup>   | 450VDC,200A   |                | 1×10 <sup>3</sup>   | 750VDC,200A   |            |
| 2) |  | 200A:               |               |                |                     |               |            |
|    |  | 300A:60min          |               |                |                     |               |            |
|    |  | 400A:20min          |               |                |                     |               |            |
|    |  | 800A:30s            |               |                |                     |               |            |
|    |  | 2000A:0.6s          |               |                |                     |               |            |

1) 85°C, 23°C, 0.6s:5.4s,

2) 85°C, 60 mm<sup>2</sup>, " "

**性能参数 / Performance parameters**

|     |  |  |
|-----|--|--|
|     |  | 1000MΩ(1000VDC)                              |
|     |  | 3000VAC 1min                                 |
|     |  | 3000VAC 1min                                 |
| ( ) |  | ≤30ms  |
| ( ) |  | ≤10ms  |
|     |  | 196m/s <sup>2</sup>                          |
|     |  | 490m/s <sup>2</sup>                          |
|     |  | 10Hz ~ 500Hz 49m/s <sup>2</sup>              |
|     |  | 5% ~ 85%RH                                   |
|     |  | -40°C ~ 85°C                                 |
|     |  | M6   |
|     |  | 500g   |
|     |  | 95.0mm×45.0mm×85.1mm<br>89.0mm×45.0mm×85.1mm |

**线圈参数 / Coil parameters**

| 线圈电压 / Coil voltage | 线圈匝数 / Coil turns | 线圈电阻 / Coil resistance | 线圈电感 / Coil inductance |
|---------------------|-------------------|------------------------|------------------------|
| 12                  | 9                 | 3.6                    | 34( 0.2s)<br>4         |
| 24                  | ≤18               | ≥7.2                   | 34( 0.2s)<br>4         |

-40°C ~ 85°C

**订货标记示例**

**HFEVC - T F 200 / 750 - 12 - C N SM -**

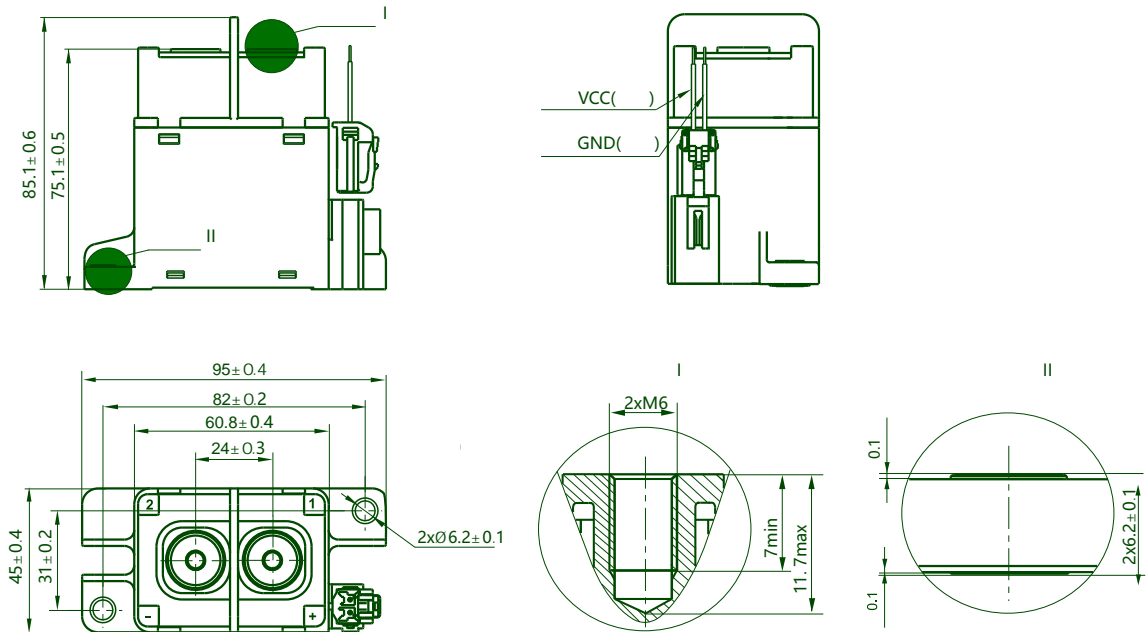
1 2 3 4 5 6 7 8 9 10

- 1 HFEVC:
- 2 T: H:
- 3 F: Y:
- 4 200: 200A
- 5 DC Blank: 450V 750: 750V
- 6 12: DC12V 24: DC24V PWM: 9V~24V
- 7 C: L:
- 8 Blank: N:
- 9 Blank: SM:
- 10

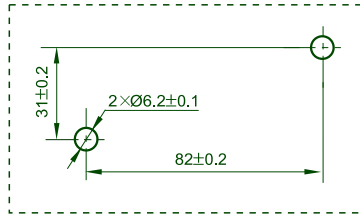
1)

**外形图、安装孔尺寸 / Outline drawing, mounting hole size**

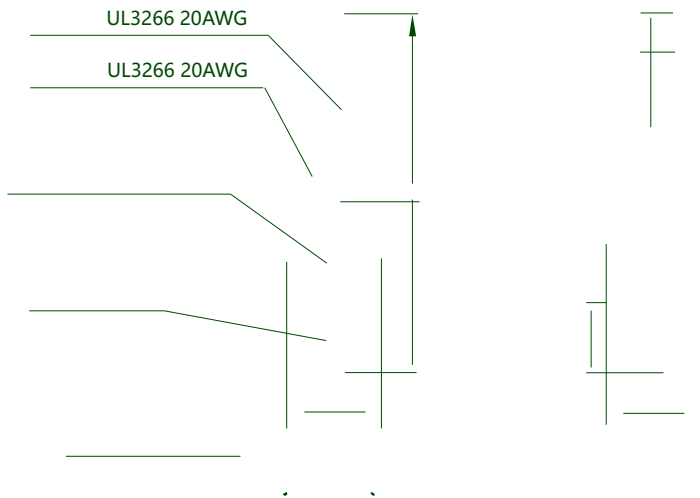
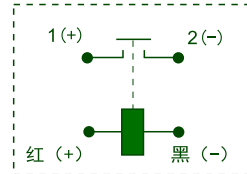
/Unit mm



Mounting hole size



Wiring diagram

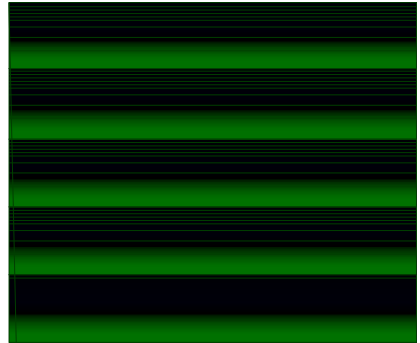


性能曲线图 Performance graph

Tolerance curve



S



A

85°C ,

60mm<sup>2</sup>